



Swing Door Operators EMSW

The most versatile and reliable swing door operator

The EM Entrematic EMSW is an electro-hydraulic operator designed for a wide variety of applications and is suitable for almost all types of external and internal swing doors. The operator can be mounted on either side of the door for pull or push action, and is available for single or double doors fitted with butt hinges or pivots.

For any retrofit, the EMSW can be taken from the box and be operational in minutes. With little training, your technical staff can administrate it and your choice of door supplier can install it. Reliability is a hallmark for the EMSW and the engineering know-how behind the operator allows it be fitted nearly everywhere and to perform well under a wide variety of conditions.

The EMSW is just as suitable for disabled access, nursing homes and hospital corridors – where the requirements are for flexible operation and reliability – as it is for department stores, banks, hotels etc. with high density traffic and difficult operating conditions.

World-class safety with fire door approval

The EMSW offers a high degree of safety. The operator can be combined with the full range of EM Entrematic safety sensors that will prevent the door from opening or closing on users or other obstructions. It has received certification for fire door approval from Swedish and German authorities. In the event of a power failure, the EMSW works as a door closer.

Easy installation for demanding environments

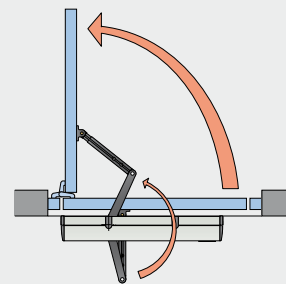
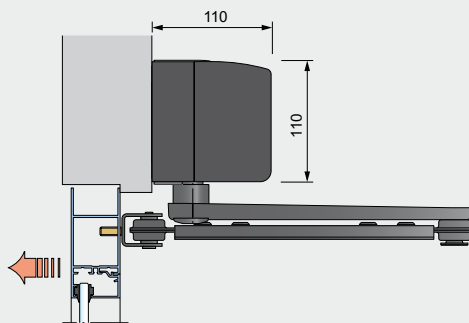
Installing the unit is easy and EM Entrematic offers regular training to all resellers to ensure high quality installations. High-use and demanding environments, like a school or an emergency entrance at a hospital, can both benefit from the EMSW. Its sturdy design holds up to rough treatment.

Strength

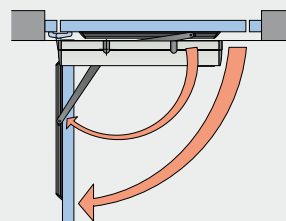
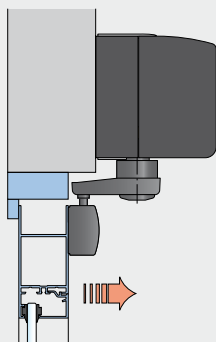
The EMSW is one of the most powerful swing door operators in the market, handling door leaves up to 250 Kg with 1600 mm width.



Pushing arm system, PUSH



Pulling arm system, PULL



Design

The compact EM Entrematic EMSW is supplied for different doors and customer requirements. The operator works electro-hydraulically. It opens with motor and closes with spring. The opening and closing speeds can be varied individually. The motor, oil pump and hydraulic unit are combined into a compact unit mounted next to the control unit within the cover.

The operator is connected to the door leaf with either a pushing or a pulling arm system.

Models

- EMSW – for single doors – one drive unit and one control unit fitted under a standard length cover.
- EMSW-Special – for single doors – one drive unit and one control unit fitted under a cover with optional length.
- EMSW-2 – for double doors – two drive units with control unit and slave control unit fitted under a cover with optional length for parallel operation of two doors.

Arm systems

- PUSH – Pushing arm system, used for fire approved doors where the operator is installed on the wall on the opposite side of the door swing. Door opening angle adjustable up to 120°.
- PULL – Pulling arm system where the operator is installed on the wall on the same side as the door swing. Door opening angle adjustable up to 120°.
- Shaft extensions – Allow the operator to be fitted higher on the wall or the arm lower on the door leaf.

Fire doors

The EMSW offers fire rating and is approved for fire door installations by the German and Swedish authorities.

Standard equipment

- Cover in clear anodized aluminum.
- Control unit – with possibility to connect manual and automatic activation units, programme selector PS-3 and electric striking plates.
- Telescopic extension arm
- Shaft extension
- Black SAS-F PUSH/PULL arm system

Accessories

- Coordination unit COOA which ensures that rebated doors close in correct order.
- EM Entrematic's range of manual and automatic activation units.
- Impulse and presence detection sensors.
- Arm stop.

Technical specifications

- Power supply: 230 V AC, 50 Hz
- Weight of operator 11.5 kg
- Auxiliary voltage: 24 V DC
- Power consumption: max. 230 W
- Ambient temperature: -15° to +30°C
- Recommended max. door weight: 250 kg for door leaf width 1600 mm

Authority Approval

The EMSW meets the following requirements;

- DIBT Z-6.5-1706
- GOST R POCC SE ME 01.B 06026
- SITAC 0135/05
- SITAC 0136/05
- TÜV B 07 07 58029 004

